

**Power Film Capacitor, DC-Link
Cylindrical Aluminum Can Dry type
UL 810**

PF-D2x Series

MERITEK

FEATURE

- Self-Healing Property
- High Ripple and Peak (dv/dt) Current Capability
- Low ESL, High Frequency Performance
- High Capacitance Density
- Applications: Renewable Energies Inverters, UPS, Battery Charger, Motor Drive, High Frequency Applications
- In Accordance with Safety Class of UL 810 Standard
- THB Grade IIIB available upon request



ELECTRICAL CHARACTERISTICS

Item	Characteristic									
Operating Temperature	-40~+85°C									
Capacitance Range	24μF ~ 5600μF, ±5%(J), ±10%(K) at 25°C									
Climatic Category	40/85/56 IEC60068-1									
Operating DC Voltage, V _{NDC}	600	700	800	900	1000	1100	1200	1300	1400	1500
Max RMS Current, 50°C 10KHz	62~100	56~100	55~100	51~100	48~100	46~100	44~100	43~100	40~100	41~100
Operating DC Voltage, V _{NDC}	2000	2200	2400	2600	2800	3000	3200	3600	4000	--
Max RMS Current, 75°C 10KHz	42~98	41~97	40~95	38~94	37~92	36~89	35~89	38~92	37~91	--
Dissipation Factor	≤0.0020 (0.2%) at 100Hz									
Insulation Resistance	IR*°C ≥ 10,000 sec, at 100 Vdc, 60 sec					at +25°C ±5°C°				

PART NUMBERING SYSTEM

PF 137K 40 DS6D D2 B
(1) (2) (3) (4) (5) (6)

No	Item	Code	Description	
(1)	Product Code	PF	Metallized PP Film Capacitor, Cylinder Type	
(2)	Nominal Capacitance	137K	130 μF ±10%(K)	First two digits: Significant, Third: Multiplier
(3)	Rated Voltage Code	40	40: 4000VDC	First two digits of Operating DC Voltage, V _{NDC}
(4)	Internal Code	DS6D	D: 136mm, S: Screw, 6: M6, D: Stud M12*16mm, see the option table below	
(5)	Series Code	D2	DC Link Capacitor Series, Cylinder Type	
(6)	Option Code	B	B: THB-IIIB, 85°C, 85%RH, VR, 1000h	Blank: 40/85/56 IEC60068-1

Diameter Size	Terminal type	Terminal Size	Stud type
7: 75mm, 8: 86mm, 9: 96mm, A: 100mm, B: 116mm, D:136mm	S: Screw, N: Nut	5: M5, 6: M6, 8: M8	C: Stud M8*10mm, D: Stud M12*16mm E: No Stud: E

**Power Film Capacitor, DC-Link
Cylindrical Aluminum Can Dry type
UL 810**

PF-D2x Series

MERITEK

ELECTRICAL SPECIFICATION – 600VDC (60)

CAP	Dimensions (mm)			dv/dt (V/us)	Peak Current (A)	ESR 1KHz (mΩ)	ESL (nH)	Thermal Res (°C/W)	Rims 10KHz 50°C (A)	No of Pin	Part Number
	D	H1	P								
480	75	101	32.0	3.3	1560	1.5	45	5.5	65	2	PF487%607xxxD2
650	75	126	32.0	2.4	1560	1.9	50	4.7	62	2	PF657%607xxxD2
800	75	146	32.0	2.0	1600	2.0	55	4.6	60	2	PF807%607xxxD2
950	75	180	32.0	3.4	3200	1.5	45	4.2	70	2	PF957%607xxxD2
650	86	101	32.0	3.4	2200	1.2	45	5.1	70	2	PF657%608xxxD2
880	86	126	32.0	2.4	2100	1.5	50	4.7	70	2	PF887%608xxxD2
1000	86	142	32.0	2.4	2430	1.0	55	4.6	65	2	PF108%608xxxD2
1100	86	146	32.0	2.0	2160	1.7	55	4.6	66	2	PF118%608xxxD2
1100	86	161	32.0	3.8	4200	1.4	40	4.3	70	2	PF118%608xxxD2
1300	86	180	32.0	3.2	4200	1.4	45	4.3	70	2	PF138%608xxxD2
2000	86	260	32.0	3.3	6500	1.1	55	3.0	70	2	PF208%608xxxD2
900	96	101	50.0	3.2	2900	1.3	45	4.7	70	2	PF907%609xxxD2
1200	96	126	50.0	2.4	2900	1.4	50	4.1	70	2	PF128%609xxxD2
1400	96	141	50.0	2.1	2890	1.5	55	3.9	70	2	PF148%609xxxD2
1500	96	146	50.0	1.9	2850	1.6	55	3.8	70	2	PF158%609xxxD2
1600	96	161	50.0	3.8	6000	1.0	40	3.5	70	2	PF168%609xxxD2
1800	96	180	50.0	3.3	6000	1.0	45	3.2	70	2	PF188%609xxxD2
1200	116	101	50.0	3.3	4000	0.7	45	5.4	80	2	PF128%60BxxxD2
1600	116	126	50.0	2.5	4000	1.0	50	5.0	80	2	PF168%60BxxxD2
2000	116	146	50.0	2.0	4000	1.1	55	4.9	80	2	PF208%60BxxxD2
2100	116	161	50.0	3.8	8000	0.8	40	3.6	100	2	PF218%60BxxxD2
2400	116	180	50.0	3.3	8000	0.9	45	3.4	100	2	PF248%60BxxxD2
3000	116	230	50.0	3.7	11200	0.8	50	2.7	100	2	PF308%60BxxxD2
5600	136	270	50.0	2.9	16000	0.8	60	2.0	100	2	PF568%60DxxxD2

Note: % denoted to tolerance: ±5%(J), ±10%(K) at 25°C, xxx denoted to option code, see the parts number system

ELECTRICAL SPECIFICATION – 700VDC (70)

CAP	Dimensions (mm)			dv/dt (V/us)	Peak Current (A)	ESR 1KHz (mΩ)	ESL (nH)	Thermal Res (°C/W)	Irms 10KHz 50°C (A)	No of Pin	Part Number
	D	H1	P								
360	75	101	32.0	4.3	1560	1.6	45	5.6	62	2	PF367%707xxxD2
480	75	126	32.0	3.2	1530	2.1	50	4.7	59	2	PF487%707xxxD2
580	75	146	32.0	2.6	1530	2.4	55	4.6	56	2	PF587%707xxxD2
620	75	161	32.0	4.8	3000	1.5	40	4.3	70	2	PF627%707xxxD2
720	75	180	32.0	4.4	3200	1.6	45	4.2	70	2	PF727%707xxxD2
480	86	101	32.0	4.4	2100	1.3	45	5.1	70	2	PF487%708xxxD2
650	86	126	32.0	3.2	2100	1.7	50	4.7	66	2	PF657%708xxxD2
750	86	141	32.0	2.8	2100	2.0	55	4.7	61	2	PF757%708xxxD2
780	86	146	32.0	2.7	2100	1.9	55	4.6	63	2	PF787%708xxxD2
820	86	161	32.0	5.0	4100	1.4	40	4.4	70	2	PF827%708xxxD2
950	86	180	32.0	4.3	4100	1.5	45	4.3	70	2	PF957%708xxxD2
1500	86	260	32.0	4.3	6500	1.1	55	3.0	70	2	PF158%708xxxD2
650	96	101	50.0	4.2	2700	1.4	45	4.7	69	2	PF657%709xxxD2
900	96	126	50.0	3.0	2700	1.5	50	4.1	69	2	PF907%709xxxD2
1000	96	141	50.0	2.7	2700	1.7	55	3.9	67	2	PF108%709xxxD2
1100	96	146	50.0	2.5	2800	1.7	55	3.8	68	2	PF118%709xxxD2
1100	96	161	50.0	4.7	5200	1.0	40	3.5	68	2	PF118%709xxxD2
1300	96	180	50.0	4.2	5500	1.1	45	3.2	70	2	PF138%709xxxD2
920	116	101	50.0	4.3	4000	0.7	45	5.4	80	2	PF927%70BxxxD2
1200	116	126	50.0	3.3	4000	1.0	50	5.0	80	2	PF128%70BxxxD2
1500	116	161	50.0	2.7	4000	1.1	55	4.9	80	2	PF158%70BxxxD2
1800	116	180	50.0	4.3	7800	1.0	40	3.4	100	2	PF188%70BxxxD2
2300	116	230	50.0	5.0	11500	0.8	50	2.7	100	2	PF238%70BxxxD2
4200	136	270	50.0	3.8	16000	0.8	60	2.0	100	2	PF428%70DxxxD2

Note: % denoted to tolerance: ±5%(J), ±10%(K) at 25°C, xxx denoted to option code, see the parts number system

**Power Film Capacitor, DC-Link
Cylindrical Aluminum Can Dry type
UL 810**

PF-D2x Series

MERITEK

ELECTRICAL SPECIFICATION – 800VDC (80)

CAP (μ F)	Dimensions (mm)			dv/dt (V/us)	Peak Current (A)	ESR 1KHz (m Ω)	ESL (nH)	Thermal Res ($^{\circ}$ C/W)	Irms 10KHz 50 $^{\circ}$ C (A)	No of Pin	Part Number
	D	H1	P								
290	75	101	32	10.5	1500	1.7	45	5.6	60	2	PF297%807xxxD2
400	75	126	32	3.9	1560	2.2	50	4.7	58	2	PF407%807xxxD2
480	75	146	32	3.3	1560	2.5	55	4.6	55	2	PF487%807xxxD2
480	75	161	32	3.3	1560	1.6	40	4.3	70	2	PF487%807xxxD2
560	75	180	32	5.4	3000	1.7	45	4.2	70	2	PF567%807xxxD2
520	86	126	32	3.8	2000	1.8	50	4.7	64	2	PF527%808xxxD2
580	86	142	32	3.4	2000	2.0	55	4.6	61	2	PF587%808xxxD2
630	86	146	32	3.2	2000	2.1	55	4.6	60	2	PF637%808xxxD2
650	86	161	32	4.6	3000	1.5	40	4.4	70	2	PF657%808xxxD2
750	86	180	32	5.3	4000	1.6	45	4.3	70	2	PF757%808xxxD2
1100	86	260	32	3.6	4000	1.2	55	3.0	70	2	PF118%808xxxD2
500	96	101	50	5.2	2620	1.4	45	4.7	67	2	PF507%809xxxD2
700	96	126	50	3.9	2700	1.6	50	4.1	67	2	PF707%809xxxD2
800	96	141	50	3.4	2700	1.8	55	3.9	66	2	PF807%809xxxD2
850	96	146	50	3.2	2700	1.8	55	3.8	66	2	PF857%809xxxD2
900	96	161	50	6.0	5400	1.1	40	3.5	70	2	PF907%809xxxD2
1000	96	180	50	5.3	5300	1.1	45	3.2	70	2	PF108%809xxxD2
720	116	101	50	5.3	3800	0.8	45	5.4	80	2	PF727%80BxxxD2
1000	116	126	50	7.0	4000	1.1	60	5.0	79	2	PF108%80BxxxD2
1200	116	146	50	3.3	4000	1.2	55	4.9	77	2	PF128%80BxxxD2
1200	116	161	50	6.3	7500	0.9	40	3.6	100	2	PF128%80BxxxD2
1500	116	180	50	5.3	8000	1.0	45	3.4	100	2	PF158%80BxxxD2
1800	116	230	50	6.1	11000	0.8	50	2.7	100	2	PF188%80BxxxD2
3200	136	270	50	4.7	15000	0.8	60	2.0	100	2	PF328%80DxxxD2

Note: % denoted to tolerance: $\pm 5\%$ (J), $\pm 10\%$ (K) at 25 $^{\circ}$ C, xxx denoted to option code, see the parts number system

ELECTRICAL SPECIFICATION – 900VDC (90)

CAP (μ F)	Dimensions (mm)			dv/dt (V/us)	Peak Current (A)	ESR 1KHz (m Ω)	ESL (nH)	Thermal Res ($^{\circ}$ C/W)	Irms 10KHz 50 $^{\circ}$ C (A)	No of Pin	Part Number
	D	H1	P								
290	75	101	32	5.3	1530	2.0	45	5.6	55	2	PF297%907xxxD2
400	75	126	32	3.9	1560	2.6	50	4.7	53	2	PF407%907xxxD2
480	75	146	32	3.2	1540	2.9	55	4.6	51	2	PF487%907xxxD2
480	75	161	32	6.1	2920	1.7	40	4.3	69	2	PF487%907xxxD2
560	75	180	32	5.3	2960	1.8	45	4.2	68	2	PF567%907xxxD2
380	86	101	32	5.3	2000	1.6	45	5.1	65	2	PF387%908xxxD2
520	86	126	32	3.8	2000	2.1	50	4.7	59	2	PF527%908xxxD2
580	86	142	32	3.4	2000	2.2	55	4.6	58	2	PF587%908xxxD2
630	86	146	32	3.2	2030	2.4	55	4.6	55	2	PF637%908xxxD2
650	86	161	32	6.1	3950	1.5	40	4.4	70	2	PF657%908xxxD2
750	86	180	32	5.3	3950	1.6	45	4.3	70	2	PF757%908xxxD2
1100	86	260	32	5.3	5800	1.3	55	3.0	70	2	PF118%908xxxD2
500	96	101	50	5.2	2620	1.4	45	4.7	67	2	PF507%909xxxD2
700	96	126	50	3.9	2700	1.6	50	4.1	67	2	PF707%909xxxD2
800	96	141	50	3.4	2700	1.8	55	3.9	66	2	PF807%909xxxD2
850	96	146	50	3.2	2700	1.8	55	3.8	66	2	PF857%909xxxD2
900	96	161	50	6.0	5400	1.1	45	3.5	70	2	PF907%909xxxD2
1000	96	180	50	5.2	5230	1.1	45	3.2	70	2	PF108%909xxxD2
720	116	101	50	5.3	3800	1.1	45	5.4	80	2	PF727%90BxxxD2
1200	116	146	50	3.2	3860	1.4	55	4.9	71	2	PF128%90BxxxD2
1200	116	161	50	6.1	7280	0.9	40	3.6	100	2	PF128%90BxxxD2
1500	116	180	50	8.0	12000	2.0	65	4.8	60	2	PF158%90BxxxD2
1800	116	230	50	8.0	14400	0.8	60	2.4	100	2	PF188%90BxxxD2
3200	136	270	50	4.7	15000	0.8	60	2.0	100	2	PF328%90DxxxD2

Note: % denoted to tolerance: $\pm 5\%$ (J), $\pm 10\%$ (K) at 25 $^{\circ}$ C, xxx denoted to option code, see the parts number system

**Power Film Capacitor, DC-Link
Cylindrical Aluminum Can Dry type
UL 810**

PF-D2x Series

MERITEK

ELECTRICAL SPECIFICATION – 1000VDC (10)

CAP	Dimensions (mm)			dv/dt (V/us)	Peak Current (A)	ESR 1KHz (mΩ)	ESL (nH)	Thermal Res (°C/W)	Irms 10KHz 50°C (A)	No of Pin	Part Number
	uF	D	H1								
220	75	101	32	6.8	1500	2.2	45	5.6	53	2	PF227%107xxxD2
300	75	126	32	5.0	1500	2.9	50	4.7	50	2	PF307%107xxxD2
360	75	146	32	4.2	1500	3.3	55	4.6	48	2	PF367%107xxxD2
360	75	161	32	7.6	2750	1.9	40	4.3	65	2	PF367%107xxxD2
420	75	180	32	6.5	2750	2.0	45	4.2	64	2	PF427%107xxxD2
290	86	101	32	6.6	1920	1.8	45	5.1	61	2	PF297%108xxxD2
400	86	126	32	4.9	1950	2.3	50	4.7	56	2	PF407%108xxxD2
470	86	141	32	4.3	2000	2.2	55	4.6	58	2	PF477%108xxxD2
480	86	146	32	4.2	2000	2.6	55	4.6	54	2	PF487%108xxxD2
500	86	161	32	7.6	3800	1.6	40	4.4	70	2	PF507%108xxxD2
560	86	180	32	6.8	3800	1.7	45	4.3	69	2	PF567%108xxxD2
900	86	260	32	6.6	5960	1.3	55	3.0	75	2	PF907%108xxxD2
380	96	101	50	6.6	2500	1.5	45	4.7	65	2	PF387%109xxxD2
500	96	126	50	4.8	2400	1.8	50	4.1	64	2	PF507%109xxxD2
600	96	141	50	4.2	2500	1.9	55	3.9	63	2	PF607%109xxxD2
650	96	146	50	4.0	2590	1.9	55	3.8	64	2	PF657%109xxxD2
650	96	161	50	7.4	4800	1.1	40	3.5	70	2	PF657%109xxxD2
780	96	180	50	6.5	5100	1.1	45	3.2	70	2	PF787%109xxxD2
540	116	101	50	6.7	3600	1.0	45	5.4	80	2	PF547%10BxxxD2
740	116	126	50	4.9	3600	1.4	50	5.0	70	2	PF747%10BxxxD2
900	116	146	50	7.6	6800	1.5	55	4.9	69	2	PF907%10BxxxD2
1100	116	180	50	6.6	7280	1.2	45	3.4	92	2	PF118%10BxxxD2
1600	116	230	50	5.0	8000	1.5	75	2.1	100	2	PF168%10BxxxD2
2500	136	270	50	5.8	14500	0.9	60	2.0	100	2	PF258%10DxxxD2

Note: % denoted to tolerance: ±5%(J), ±10%(K) at 25°C, xxx denoted to option code, see the parts number system

ELECTRICAL SPECIFICATION – 1100VDC (11)

CAP	Dimensions (mm)			dv/dt (V/us)	Peak Current (A)	ESR 1KHz (mΩ)	ESL (nH)	Thermal Res (°C/W)	Irms 10KHz 50°C (A)	No of Pin	Part Number
	uF	D	H1								
170	75	101	32	10.0	1700	3.2	60	3.8	50	2	PF177%117xxxD2
250	75	126	32	5.7	1430	3.0	50	4.7	49	2	PF257%117xxxD2
300	75	146	32	4.8	1430	3.5	55	4.6	46	2	PF307%117xxxD2
310	75	161	32	9.0	2780	1.9	40	4.3	65	2	PF317%117xxxD2
360	75	180	32	7.8	2800	2.0	45	4.2	64	2	PF367%117xxxD2
240	86	101	32	7.8	1880	1.9	45	5.1	60	2	PF247%118xxxD2
330	86	126	32	5.7	1890	2.4	50	4.7	55	2	PF337%118xxxD2
420	86	142	32	5.0	2100	2.3	55	4.6	57	2	PF427%118xxxD2
420	86	161	32	9.0	3800	1.7	40	4.4	63	2	PF427%118xxxD2
500	86	180	32	7.6	3800	1.8	45	4.3	67	2	PF507%118xxxD2
750	86	260	32	7.7	5800	1.3	55	3.0	70	2	PF757%118xxxD2
330	96	101	50	7.9	2600	1.5	45	4.7	65	2	PF337%119xxxD2
440	96	126	50	5.7	2500	1.8	50	4.1	63	2	PF447%119xxxD2
510	96	141	50	4.9	2500	2.0	55	3.9	62	2	PF517%119xxxD2
540	96	146	50	4.6	2500	2.1	55	3.8	62	2	PF547%119xxxD2
560	96	161	50	8.9	5000	1.1	40	3.5	70	2	PF567%119xxxD2
650	96	180	50	7.7	5000	1.2	45	3.2	70	2	PF657%119xxxD2
450	116	101	50	7.8	3500	1.0	45	5.4	80	2	PF457%11BxxxD2
620	116	126	50	5.6	3500	1.4	50	5.0	70	2	PF627%11BxxxD2
750	116	146	50	4.7	3500	1.6	55	4.9	66	2	PF757%11BxxxD2
780	116	161	50	9.0	7000	0.9	40	3.6	100	2	PF787%11BxxxD2
920	116	180	50	7.8	7200	1.1	45	3.4	96	2	PF927%11BxxxD2
1200	116	230	50	9.2	11000	0.9	50	2.7	100	2	PF128%11BxxxD2
2200	136	270	50	6.8	15000	0.9	60	2.0	100	2	PF228%11DxxxD2

Note: % denoted to tolerance: ±5%(J), ±10%(K) at 25°C, xxx denoted to option code, see the parts number system

**Power Film Capacitor, DC-Link
Cylindrical Aluminum Can Dry type
UL 810**

PF-D2x Series

MERITEK

ELECTRICAL SPECIFICATION – 1200VDC (12)

CAP (uF)	Dimensions (mm)			dv/dt (V/us)	Peak Current (A)	ESR 1KHz (mΩ)	ESL (nH)	Thermal Res (°C/W)	Irms 10KHz 50°C (A)	No of Pin	Part Number
	D	H1	P								
140	75	101	32	6.8	1350	2.7	45	5.6	48	2	PF147%127xxxD2
200	75	126	32	7.0	1400	3.4	50	4.7	47	2	PF207%127xxxD2
240	75	146	32	5.8	1400	3.9	55	4.6	44	2	PF247%127xxxD2
240	75	161	32	10.8	2600	2.0	40	4.3	63	2	PF247%127xxxD2
280	75	180	32	9.6	2700	2.1	45	4.2	62	2	PF287%127xxxD2
190	86	101	32	9.5	1800	2.1	45	5.1	57	2	PF197%128xxxD2
260	86	126	32	6.9	1800	2.7	50	4.7	52	2	PF267%128xxxD2
320	86	142	32	5.9	1900	2.5	55	4.6	55	2	PF327%128xxxD2
330	86	146	32	5.8	1900	3.0	55	4.6	50	2	PF337%128xxxD2
330	86	161	32	10.9	3600	1.8	40	4.4	66	2	PF337%128xxxD2
380	86	180	32	9.5	3600	1.9	45	4.3	65	2	PF387%128xxxD2
580	86	260	32	9.5	5500	1.5	55	3.0	75	2	PF587%128xxxD2
250	96	101	50	9.2	2300	1.7	45	4.7	61	2	PF257%129xxxD2
350	96	126	50	6.9	2400	2.0	50	4.1	61	2	PF357%129xxxD2
400	96	141	50	6.0	2400	2.2	55	3.9	59	2	PF407%129xxxD2
420	96	146	50	5.7	2400	2.2	55	3.8	59	2	PF427%129xxxD2
450	96	161	50	10.7	4800	1.2	40	3.5	70	2	PF457%129xxxD2
500	96	180	50	9.2	4600	1.2	45	3.2	70	2	PF507%129xxxD2
360	116	101	50	9.4	3400	1.1	45	5.4	76	2	PF367%12BxxxD2
500	116	126	50	7.0	3500	1.6	50	5.0	66	2	PF507%12BxxxD2
600	116	146	50	5.8	3500	1.8	55	4.9	62	2	PF607%12BxxxD2
620	116	161	50	11.0	6800	1.0	40	3.6	98	2	PF627%12BxxxD2
720	116	180	50	9.4	6800	1.2	45	3.4	92	2	PF727%12BxxxD2
950	116	230	50	10.5	10000	0.9	50	2.7	100	2	PF957%12BxxxD2
1700	136	270	50	8.2	13900	0.9	60	2.0	100	2	PF178%12DxxxD2

Note: % denoted to tolerance: ±5%(J), ±10%(K) at 25°C, xxx denoted to option code, see the parts number system

ELECTRICAL SPECIFICATION – 1300VDC (13)

CAP (uF)	Dimensions (mm)			dv/dt (V/us)	Peak Current (A)	ESR 1KHz (mΩ)	ESL (nH)	Thermal Res (°C/W)	Irms 10KHz 50°C (A)	No of Pin	Part Number
	D	H1	P								
120	75	101	32	10.8	1300	2.9	45	5.6	46	2	PF127%137xxxD2
170	75	126	32	7.9	1350	3.7	50	4.7	44	2	PF177%137xxxD2
210	75	146	32	6.7	1400	4.1	55	4.6	43	2	PF217%137xxxD2
210	75	161	32	12.6	2650	2.1	40	4.3	62	2	PF217%137xxxD2
240	75	180	32	10.8	2600	2.3	45	4.2	60	2	PF247%137xxxD2
170	86	101	32	10.9	1850	2.2	45	5.1	55	2	PF177%138xxxD2
230	86	126	32	8.0	1850	2.8	50	4.7	51	2	PF237%138xxxD2
270	86	142	32	6.7	1800	2.8	55	4.6	52	2	PF277%138xxxD2
270	86	146	32	6.7	1800	3.3	55	4.6	48	2	PF277%138xxxD2
280	86	161	32	12.5	3500	1.8	40	4.4	66	2	PF287%138xxxD2
320	86	180	32	10.9	3500	1.9	45	4.3	65	2	PF327%138xxxD2
520	86	260	32	10.8	5600	1.5	55	3.0	70	2	PF527%138xxxD2
210	96	101	50	11.0	2300	1.8	45	4.7	60	2	PF217%139xxxD2
280	96	126	50	8.2	2300	2.1	50	4.1	58	2	PF287%139xxxD2
330	96	141	50	7.0	2300	2.3	55	3.9	57	2	PF337%139xxxD2
360	96	146	50	6.7	2400	2.3	55	3.8	58	2	PF367%139xxxD2
380	96	161	50	12.4	4700	1.2	40	3.5	70	2	PF387%139xxxD2
420	96	180	50	10.7	4500	1.3	45	3.2	70	2	PF427%139xxxD2
320	116	101	50	10.9	3500	1.2	45	5.4	73	2	PF327%13BxxxD2
430	116	126	50	7.9	3400	1.6	50	5.0	66	2	PF437%13BxxxD2
520	116	146	50	6.5	3400	1.8	55	4.9	62	2	PF527%13BxxxD2
540	116	161	50	12.6	6800	1.0	40	3.6	98	2	PF547%13BxxxD2
630	116	180	50	10.8	6800	1.2	45	3.4	92	2	PF637%13BxxxD2
820	116	230	50	12.2	10000	0.9	50	2.7	100	2	PF827%13BxxxD2
1500	136	270	50	9.3	14000	1.0	60	2.0	100	2	PF158%13DxxxD2

Note: % denoted to tolerance: ±5%(J), ±10%(K) at 25°C, xxx denoted to option code, see the parts number system

**Power Film Capacitor, DC-Link
Cylindrical Aluminum Can Dry type
UL 810**

PF-D2x Series

MERITEK

ELECTRICAL SPECIFICATION – 1400VDC (14)

CAP	Dimensions (mm)			dv/dt (V/us)	Peak Current (A)	ESR 1KHz (mΩ)	ESL (nH)	Thermal Res (°C/W)	Irms 10KHz 50°C (A)	No of Pin	Part Number
	(uF)	D	H1								
100	75	101	32	12.5	1250	3.1	45	5.6	44	2	PF107%147xxxD2
140	75	126	32	9.3	1300	4.0	50	4.7	43	2	PF147%147xxxD2
170	75	146	32	7.6	1300	4.6	55	4.6	40	2	PF177%147xxxD2
170	75	161	32	14.7	2500	2.3	40	4.3	59	2	PF177%147xxxD2
200	75	180	32	12.5	2500	2.4	45	4.2	58	2	PF207%147xxxD2
140	86	101	32	12.9	1800	2.4	45	5.1	53	2	PF147%148xxxD2
190	86	126	32	9.5	1800	3.1	50	4.7	49	2	PF197%148xxxD2
230	86	142	32	7.8	1800	2.9	55	4.6	51	2	PF237%148xxxD2
240	86	161	32	14.6	3500	1.9	40	4.4	64	2	PF247%148xxxD2
270	86	180	32	12.6	3400	2.1	45	4.3	62	2	PF277%148xxxD2
420	86	260	32	12.4	5200	1.5	55	3.0	70	2	PF427%148xxxD2
180	96	101	50	12.5	2250	1.8	45	4.7	59	2	PF187%149xxxD2
250	96	126	50	9.2	2300	2.2	50	4.1	58	2	PF257%149xxxD2
290	96	141	50	7.9	2300	2.4	55	3.9	57	2	PF297%149xxxD2
320	96	161	50	14.4	4600	1.2	40	3.5	70	2	PF327%149xxxD2
360	96	180	50	12.5	4500	1.3	45	3.2	70	2	PF367%149xxxD2
260	116	101	50	12.3	3200	1.3	45	5.4	70	2	PF267%14BxxxD2
360	116	126	50	8.9	3200	1.8	50	5.0	62	2	PF367%14BxxxD2
450	116	146	50	7.6	3400	2.0	55	4.9	59	2	PF457%14BxxxD2
460	116	161	50	14.1	6500	1.1	40	3.6	94	2	PF467%14BxxxD2
540	116	180	50	12.4	6700	1.3	45	3.4	79	2	PF547%14BxxxD2
700	116	230	50	14.1	9900	0.9	50	2.7	94	2	PF707%14BxxxD2
1300	116	270	50	10.8	14000	1.0	60	2.0	100	2	PF138%14DxxxD2

Note: % denoted to tolerance: ±5%(J), ±10%(K) at 25°C, xxx denoted to option code, see the parts number system

ELECTRICAL SPECIFICATION – 1500VDC (15)

CAP	Dimensions (mm)			dv/dt (V/us)	Peak Current (A)	ESR 1KHz (mΩ)	ESL (nH)	Thermal Res (°C/W)	Irms 10KHz 50°C (A)	No of Pin	Part Number
	(uF)	D	H1								
90	75	101	32	13.3	1200	3.3	45	5.6	43	2	PF906%157xxxD2
120	75	126	32	10.0	1200	4.4	50	4.7	41	2	PF127%157xxxD2
150	75	146	32	8.0	1200	4.9	55	4.6	39	2	PF157%157xxxD2
150	75	161	32	15.3	2300	2.4	40	4.3	58	2	PF157%157xxxD2
170	75	180	32	13.5	2300	2.5	45	4.2	57	2	PF177%157xxxD2
120	86	101	32	13.3	1600	2.6	45	5.1	51	2	PF127%158xxxD2
170	86	126	32	9.4	1600	3.3	50	4.7	47	2	PF177%158xxxD2
200	86	142	32	8.5	1700	3.0	55	4.6	50	2	PF207%158xxxD2
210	86	161	32	15.7	3300	2.0	40	4.4	63	2	PF217%158xxxD2
240	86	180	32	13.8	3300	2.1	45	4.3	62	2	PF247%158xxxD2
380	86	260	32	13.2	5000	1.5	55	3.0	70	2	PF387%158xxxD2
160	96	101	50	13.4	2150	1.9	45	4.7	58	2	PF167%159xxxD2
210	96	126	50	10.0	2100	2.3	50	4.1	56	2	PF217%159xxxD2
250	96	141	50	8.4	2100	2.5	55	3.9	55	2	PF257%159xxxD2
270	96	161	50	15.9	4300	1.3	40	3.5	70	2	PF277%159xxxD2
320	96	180	50	13.4	4300	1.3	45	3.2	70	2	PF327%159xxxD2
230	116	101	50	13.5	3100	1.4	45	5.4	68	2	PF237%15BxxxD2
320	116	126	50	9.7	3100	1.9	50	5.0	60	2	PF327%15BxxxD2
390	116	146	50	8.2	3200	2.1	55	4.9	58	2	PF397%15BxxxD2
420	116	161	50	15.5	6500	1.1	40	3.6	94	2	PF427%15BxxxD2
470	116	180	50	13.4	6300	1.3	45	3.4	79	2	PF477%15BxxxD2
600	116	230	50	15.3	9200	1.0	50	2.7	89	2	PF607%15BxxxD2
1100	136	270	50	11.6	12800	1.1	60	2.0	100	2	PF118%15DxxxD2

Note: % denoted to tolerance: ±5%(J), ±10%(K) at 25°C, xxx denoted to option code, see the parts number system

**Power Film Capacitor, DC-Link
Cylindrical Aluminum Can Dry type
UL 810**

PF-D2x Series

MERITEK

ELECTRICAL SPECIFICATION – 2000VDC (20)

CAP	Dimensions (mm)			dv/dt (V/us)	Peak Current (A)	ESR 1KHz (mΩ)	ESL (nH)	Thermal Res (°C/W)	Irms 10KHz 50°C (A)	No of Pin	Part Number
	uF	D	H1								
110	86	146	32	16.4	1800	3.5	60	4.5	42	2	PF117%208xxxD2
200	86	230	32	18.0	3600	1.8	60	3.2	69	2	PF207%208xxxD2
200	116	126	50	18.0	3600	2.1	60	3.5	61	2	PF207%20BxxxD2
220	116	146	50	16.4	3600	2.3	65	3.3	60	2	PF227%20BxxxD2
280	116	180	50	26.4	7400	1.1	55	2.9	93	2	PF287%20BxxxD2
400	116	230	50	18.5	7400	1.3	60	2.4	93	2	PF407%20BxxxD2
250	136	126	50	20.0	5000	1.8	60	2.9	67	2	PF257%20DxxxD2
320	136	146	50	15.6	5000	2.0	65	2.7	66	2	PF327%20DxxxD2
360	136	180	50	27.8	10000	1.0	55	2.4	99	2	PF367%20DxxxD2
500	136	230	50	20.0	10000	1.2	60	2.1	98	2	PF507%20DxxxD2
620	136	270	50	16.1	10000	1.3	60	1.9	98	2	PF627%20DxxxD2

Note: % denoted to tolerance: ±5%(J), ±10%(K) at 25°C, xxx denoted to option code, see the parts number system

ELECTRICAL SPECIFICATION – 2200VDC (22)

CAP	Dimensions (mm)			dv/dt (V/us)	Peak Current (A)	ESR 1KHz (mΩ)	ESL (nH)	Thermal Res (°C/W)	Irms 10KHz 50°C (A)	No of Pin	Part Number
	uF	D	H1								
100	86	146	32	18.0	1800	3.7	65	4.5	41	2	PF107%228xxxD2
150	86	230	32	24.0	3600	1.9	60	3.2	68	2	PF157%228xxxD2
150	116	126	50	22.7	3400	2.2	60	3.5	59	2	PF157%22BxxxD2
180	116	146	50	18.9	3400	2.5	65	3.3	58	2	PF187%22BxxxD2
220	116	180	50	32.7	7200	1.1	55	2.9	91	2	PF227%22BxxxD2
300	116	230	50	23.7	7100	1.4	60	2.4	91	2	PF307%22BxxxD2
220	136	126	50	21.8	4800	1.9	60	2.9	66	2	PF227%22DxxxD2
250	136	146	50	20.0	5000	2.1	65	2.7	65	2	PF257%22DxxxD2
300	136	180	50	32.7	9800	1.0	55	2.4	97	2	PF307%22DxxxD2
420	136	230	50	23.3	9800	1.2	60	2.1	96	2	PF427%22DxxxD2
500	136	270	50	20.0	10000	1.4	60	1.9	97	2	PF507%22DxxxD2

Note: % denoted to tolerance: ±5%(J), ±10%(K) at 25°C, xxx denoted to option code, see the parts number system

ELECTRICAL SPECIFICATION – 2400VDC (24)

CAP	Dimensions (mm)			dv/dt (V/us)	Peak Current (A)	ESR 1KHz (mΩ)	ESL (nH)	Thermal Res (°C/W)	Irms 10KHz 50°C (A)	No of Pin	Part Number
	uF	D	H1								
75	86	146	32	24.0	1800	3.9	65	4.5	40	2	PF756%248xxxD2
120	86	230	32	29.2	3500	2.0	60	3.2	65	2	PF127%248xxxD2
120	116	126	50	29.2	3500	2.3	60	3.5	58	2	PF127%24BxxxD2
140	116	146	50	23.6	3300	2.6	65	3.3	56	2	PF147%24BxxxD2
170	116	180	50	40.0	6800	1.2	55	2.9	89	2	PF177%24BxxxD2
240	116	230	50	28.8	6900	1.4	60	2.4	89	2	PF247%24BxxxD2
160	136	126	50	28.8	4600	2.0	60	2.9	63	2	PF167%24DxxxD2
200	136	146	50	23.5	4700	2.2	65	2.7	63	2	PF207%24DxxxD2
240	136	180	50	40.0	9600	1.1	55	2.4	95	2	PF247%24DxxxD2
330	136	230	50	29.1	9600	1.3	60	2.1	94	2	PF337%24DxxxD2
410	136	270	50	23.4	9600	1.4	60	1.9	95	2	PF417%24DxxxD2

Note: % denoted to tolerance: ±5%(J), ±10%(K) at 25°C, xxx denoted to option code, see the parts number system

**Power Film Capacitor, DC-Link
Cylindrical Aluminum Can Dry type
UL 810**

PF-D2x Series

MERITEK

ELECTRICAL SPECIFICATION – 2600VDC (26)

CAP	Dimensions (mm)			dv/dt (V/us)	Peak Current (A)	ESR 1KHz (mΩ)	ESL (nH)	Thermal Res (°C/W)	Irms 10KHz 50°C (A)	No of Pin	Part Number
	uF	D	H1								
63	86	146	32	27.0	1700	4.1	65	4.5	38	2	PF636%268xxxD2
100	86	230	32	34.0	3400	2.1	60	3.2	63	2	PF107%268xxxD2
100	116	126	50	34.0	3400	2.4	60	3.6	57	2	PF107%26BxxxD2
120	116	146	50	27.5	3300	2.7	65	3.3	55	2	PF127%26BxxxD2
140	116	180	50	47.1	6600	1.2	55	2.9	87	2	PF147%26BxxxD2
200	116	230	50	33.5	6700	1.5	60	2.5	87	2	PF207%26BxxxD2
140	136	126	50	33.6	4700	2.0	60	3.0	63	2	PF147%26DxxxD2
170	136	146	50	27.6	4700	2.3	65	2.8	62	2	PF177%26DxxxD2
200	136	180	50	47.0	9400	1.1	55	2.5	94	2	PF207%26DxxxD2
280	136	230	50	34.3	9600	1.3	60	2.1	93	2	PF287%26DxxxD2
340	136	270	50	27.6	9400	1.5	60	1.9	92	2	PF347%26DxxxD2

Note: % denoted to tolerance: ±5%(J), ±10%(K) at 25°C, xxx denoted to option code, see the parts number system

ELECTRICAL SPECIFICATION – 2800VDC (28)

CAP	Dimensions (mm)			dv/dt (V/us)	Peak Current (A)	ESR 1KHz (mΩ)	ESL (nH)	Thermal Res (°C/W)	Irms 10KHz 50°C (A)	No of Pin	Part Number
	uF	D	H1								
54	86	146	32	31.5	1700	4.3	65	4.5	37	2	PF546%288xxxD2
88	86	230	32	38.6	3400	2.2	60	3.2	62	2	PF886%288xxxD2
88	116	126	50	37.5	3300	2.5	60	3.6	56	2	PF886%28BxxxD2
100	116	146	50	32.0	3200	2.9	65	3.4	53	2	PF107%28BxxxD2
120	116	180	50	54.2	6500	1.3	55	2.9	85	2	PF127%28BxxxD2
180	116	230	50	36.7	6600	1.5	60	2.5	85	2	PF187%28BxxxD2
120	136	126	50	39.2	4700	2.1	60	3.0	62	2	PF127%28DxxxD2
140	136	146	50	31.4	4400	2.4	65	2.8	59	2	PF147%28DxxxD2
170	136	180	50	54.1	9200	1.1	55	2.5	92	2	PF177%28DxxxD2
240	136	230	50	38.8	9300	1.3	60	2.1	92	2	PF247%28DxxxD2
290	136	270	50	31.7	9200	1.5	60	1.9	91	2	PF297%28DxxxD2

Note: % denoted to tolerance: ±5%(J), ±10%(K) at 25°C, xxx denoted to option code, see the parts number system

ELECTRICAL SPECIFICATION – 3000VDC (30)

CAP	Dimensions (mm)			dv/dt (V/us)	Peak Current (A)	ESR 1KHz (mΩ)	ESL (nH)	Thermal Res (°C/W)	Irms 10KHz 50°C (A)	No of Pin	Part Number
	uF	D	H1								
46	86	146	32	34.8	1600	4.6	65	4.6	36	2	PF466%308xxxD2
75	86	230	32	41.3	3100	2.3	60	3.2	61	2	PF756%308xxxD2
75	116	126	50	41.3	3100	2.6	60	3.6	54	2	PF756%30BxxxD2
90	116	146	50	34.4	3100	2.9	65	3.3	53	2	PF906%30BxxxD2
100	116	180	50	58.0	5800	1.3	55	3.0	83	2	PF107%30BxxxD2
140	116	230	50	41.4	5800	1.6	60	2.5	82	2	PF147%30BxxxD2
100	136	126	50	42.0	4200	2.2	60	3.0	60	2	PF107%30DxxxD2
120	136	146	50	34.2	4100	2.5	65	2.8	58	2	PF127%30DxxxD2
140	136	180	50	58.6	8200	1.2	55	2.5	89	2	PF147%30DxxxD2
200	136	230	50	42.0	8400	1.4	60	2.2	89	2	PF207%30DxxxD2
250	136	270	50	34.4	8600	1.6	60	1.9	89	2	PF257%30DxxxD2

Note: % denoted to tolerance: ±5%(J), ±10%(K) at 25°C, xxx denoted to option code, see the parts number system

**Power Film Capacitor, DC-Link
Cylindrical Aluminum Can Dry type
UL 810**

PF-D2x Series

MERITEK

ELECTRICAL SPECIFICATION – 3200VDC (32)

CAP	Dimensions (mm)			dv/dt (V/us)	Peak Current (A)	ESR 1KHz (mΩ)	ESL (nH)	Thermal Res (°C/W)	Irms 10KHz 50°C (A)	No of Pin	Part Number
	uF	D	H1								
40	86	146	32	37.5	1500	4.9	65	4.6	35	2	PF406%328xxxD2
65	86	230	32	44.6	2900	2.4	60	3.2	59	2	PF656%328xxxD2
65	116	126	50	44.6	2900	2.7	60	3.6	53	2	PF656%32BxxxD2
80	116	146	50	36.3	2900	3.1	65	3.4	52	2	PF806%32BxxxD2
92	116	180	50	62.0	5700	1.3	55	3.0	83	2	PF926%32BxxxD2
120	116	230	50	45.0	5400	1.7	60	2.5	80	2	PF127%32BxxxD2
90	136	126	50	44.4	4000	2.2	60	3.0	59	2	PF906%32DxxxD2
110	136	146	50	36.4	4000	2.5	65	2.8	58	2	PF117%32DxxxD2
120	136	180	50	62.5	7500	1.2	55	2.6	87	2	PF127%32DxxxD2
180	136	230	50	45.0	8100	1.4	60	2.2	89	2	PF187%32DxxxD2
220	136	270	50	36.8	8100	1.6	60	1.9	88	2	PF227%32DxxxD2

Note: % denoted to tolerance: ±5%(J), ±10%(K) at 25°C, xxx denoted to option code, see the parts number system

ELECTRICAL SPECIFICATION – 3600VDC (36)

CAP	Dimensions (mm)			dv/dt (V/us)	Peak Current (A)	ESR 1KHz (mΩ)	ESL (nH)	Thermal Res (°C/W)	Irms 10KHz 50°C (A)	No of Pin	Part Number
	uF	D	H1								
32	86	146	32	50.0	1600	4.0	65	4.6	38	2	PF326%368xxxD2
45	86	230	32	73.3	3300	2.0	60	3.3	64	2	PF456%368xxxD2
44	116	126	50	72.7	3200	2.3	60	3.7	57	2	PF446%36BxxxD2
54	116	146	50	59.3	3200	2.7	65	3.4	55	2	PF546%36BxxxD2
88	116	230	50	72.7	6400	1.4	60	2.5	87	2	PF886%36BxxxD2
110	116	270	50	59.1	6500	1.6	60	2.3	85	2	PF117%36BxxxD2
61	136	126	50	73.8	4500	2.0	60	3.0	63	2	PF616%36DxxxD2
75	136	146	50	58.7	4400	2.3	65	2.8	61	2	PF756%36DxxxD2
120	136	230	50	73.3	8800	1.3	60	2.2	92	2	PF127%36DxxxD2
150	136	270	50	58.7	8800	1.5	60	2.0	92	2	PF157%36DxxxD2

Note: % denoted to tolerance: ±5%(J), ±10%(K) at 25°C, xxx denoted to option code, see the parts number system

ELECTRICAL SPECIFICATION – 4000VDC (40)

CAP	Dimensions (mm)			dv/dt (V/us)	Peak Current (A)	ESR 1KHz (mΩ)	ESL (nH)	Thermal Res (°C/W)	Irms 10KHz 50°C (A)	No of Pin	Part Number
	uF	D	H1								
24	86.0	146.0	32.0	68.8	1650	4.2	65	4.6	37	2	PF246%408xxxD2
38	86.0	230.0	32.0	84.2	3200	2.1	60	3.3	62	2	PF386%408xxxD2
37	116.0	126.0	50.0	83.8	3100	2.4	60	3.7	55	2	PF376%40BxxxD2
46	116.0	146.0	50.0	67.4	3100	2.8	65	3.4	54	2	PF466%40BxxxD2
74	116.0	230.0	50.0	85.1	6300	1.5	60	2.5	85	2	PF746%40BxxxD2
92	116.0	270.0	50.0	68.5	6300	1.7	60	2.3	83	2	PF926%40BxxxD2
52	136.0	126.0	50.0	84.6	4400	2.1	60	3.0	62	2	PF526%40DxxxD2
64	136.0	146.0	50.0	68.8	4400	2.3	65	2.8	60	2	PF646%40DxxxD2
100	136.0	230.0	50.0	85.0	8500	1.3	60	2.2	90	2	PF107%40DxxxD2
130	136.0	270.0	50.0	68.5	8900	1.5	60	2.0	91	2	PF137%40DxxxD2

Note: % denoted to tolerance: ±5%(J), ±10%(K) at 25°C, xxx denoted to option code, see the parts number system

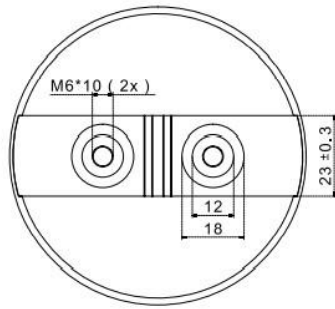
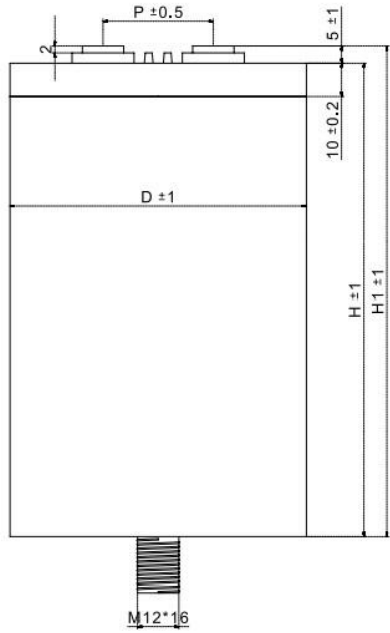
**Power Film Capacitor, DC-Link
Cylindrical Aluminum Can Dry type
UL 810**

PF-D2x Series

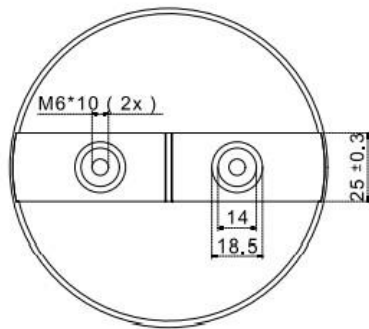
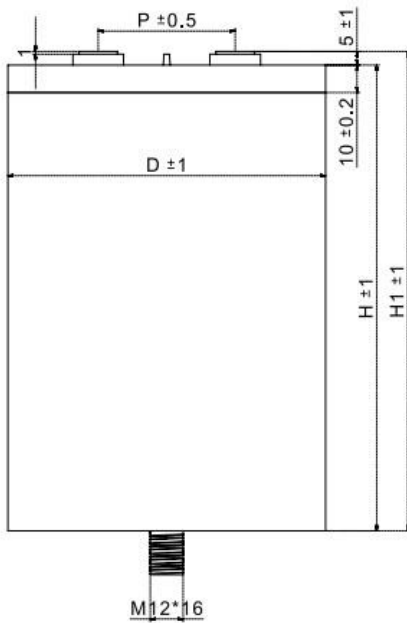
MERITEK

DIMENSIONS

Diameter 76mm, 86mm



Diameter 116mm

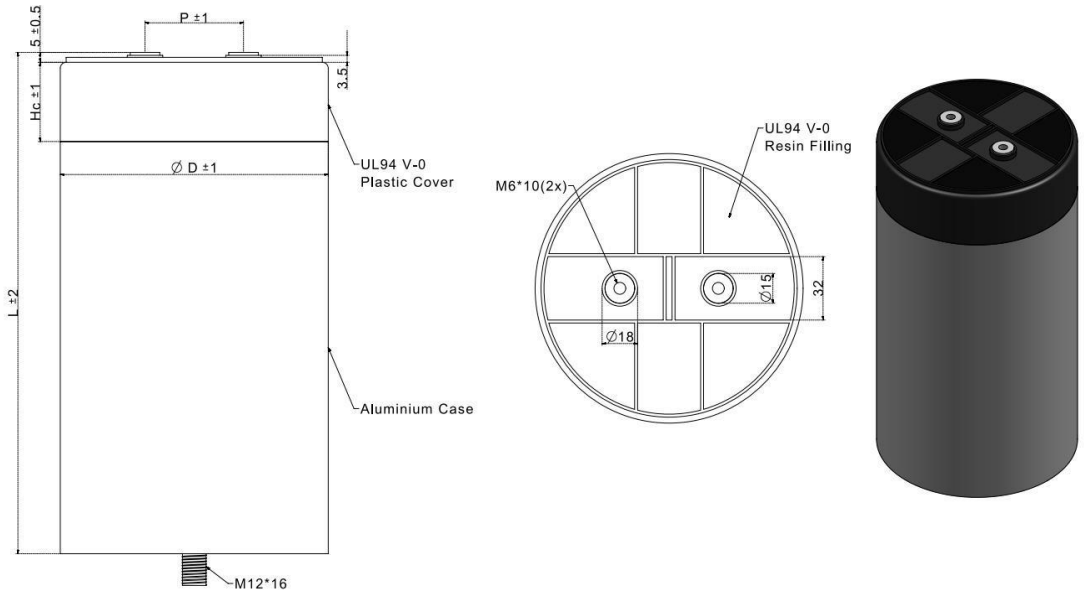


**Power Film Capacitor, DC-Link
Cylindrical Aluminum Can Dry type
UL 810**

PF-D2x Series

MERITEK

Diameter 136mm



Size Code Table

Size Code	Dimension (mm)					
	D ± 1	H1 ± 1	P ± 1	d ± 0.3	d1 ± 0.3	h ± 1
7	75.0	80.0	32.0	12.0	15.0	30.0
	75.0	105.0	32.0	12.0	15.0	30.0
8	86.0	80.0	32.0	12.0	15.0	30.0
	86.0	105.0	32.0	12.0	15.0	30.0
	86.0	126.0	32.0	12.0	15.0	30.0
	86.0	142.5	32.0	12.0	15.0	30.0
	86.0	151.0	32.0	12.0	15.0	30.0
	86.0	161.0	32.0	12.0	15.0	30.0
	86.0	178.5	32.0	12.0	15.0	30.0
	86.0	180.0	32.0	12.0	15.0	30.0
	86.0	205.0	32.0	12.0	15.0	30.0
	86.0	225.0	32.0	12.0	15.0	30.0
A	100.0	155.0	32.0	15.0	18.0	40.0
	100.0	180.0	32.0	15.0	18.0	40.0
B	116.0	105.0	50.0	15.0	18.0	40.0
	116.0	155.0	50.0	15.0	18.0	40.0
	116.0	161.0	50.0	15.0	18.0	40.0
	116.0	170.0	50.0	15.0	18.0	40.0
	116.0	180.0	50.0	15.0	18.0	40.0
	116.0	205.0	50.0	15.0	18.0	40.0
	116.0	235.0	50.0	15.0	18.0	40.0
	116.0	240.0	50.0	15.0	18.0	40.0
	116.0	265.0	50.0	15.0	18.0	40.0
	116.0	290.0	50.0	15.0	18.0	40.0
	116.0	330.0	50.0	15.0	18.0	40.0
D	136.0	235.0	50.0	15.0	18.0	40.0
	136.0	265.0	50.0	15.0	18.0	40.0
	136.0	340.0	50.0	15.0	18.0	40.0

*Specifications subject to change without notice.